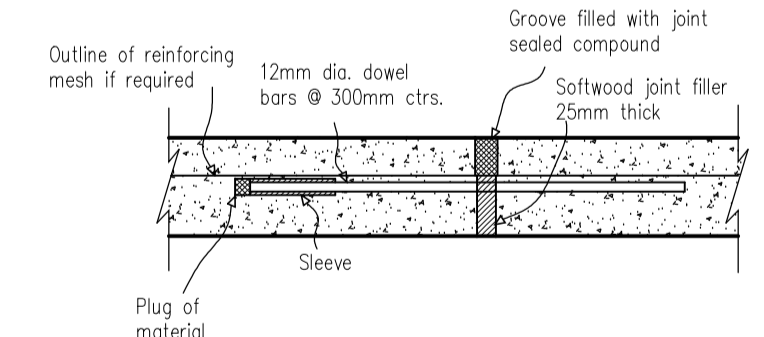
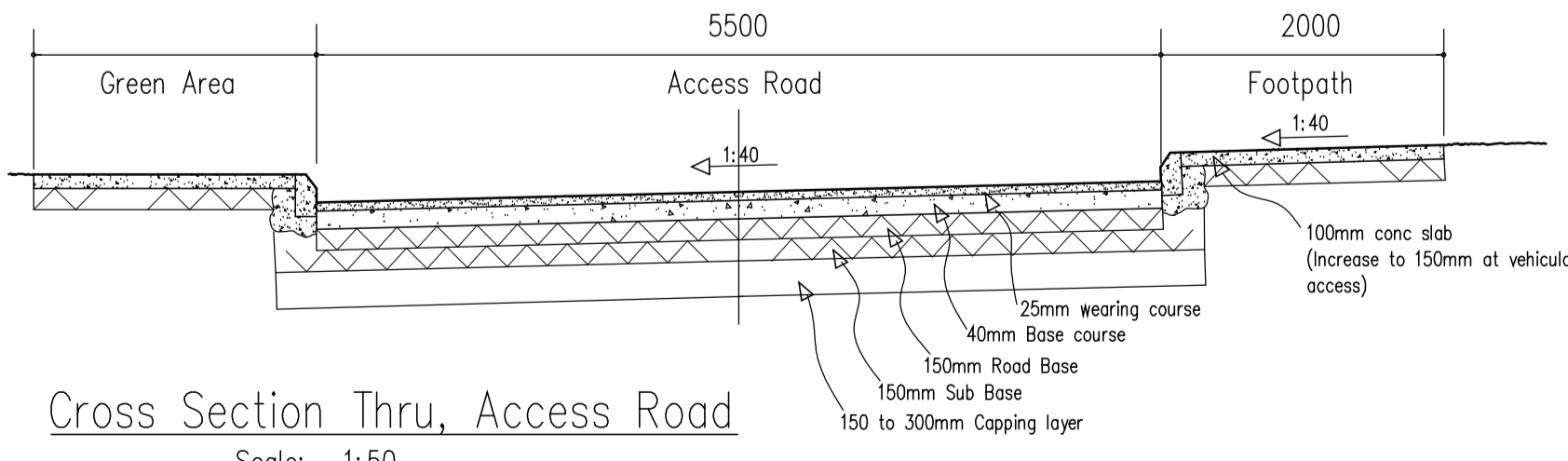




Site Area 0.3726 Hectares



Expansion Joint to Carriageway
Scale: - 1:10



Cross Section Thru, Access Road
Scale: - 1:50

NOTE
All site works to be carried out in accordance with the Department of Environment and Local Government "Recommendations for Site Development Works for Housing Areas"

Site Layout Master drawing

IMPORTANT:
THIS IS A PLANNING DRAWING ONLY. IT IS NOT A WORKING DRAWING FOR CONSTRUCTION AND MUST NOT BE USED AS SUCH. THE INFORMATION ON THIS DRAWING IS SUITABLE FOR FULFILLING THE REQUIREMENTS OF THE PLANNING PROCESS ONLY. MUCH INFORMATION OF A STRUCTURAL NATURE WILL BE MISSING FROM THE DRAWING AND SOME INFORMATION REQUIRED TO COMPLY WITH BUILDING REGULATIONS MAY BE MISSING. IT IS STRONGLY RECOMMENDED THAT THE ENGINEER BE CONSULTED FOR THE PREPARATION OF FULL WORKING DRAWINGS.

Revisions:

Copyright © CS Pringle Ltd. Unauthorized reproduction prohibited.

Scales: 1:200 - A1 Print	Date: 30-06-2010
Designed By: KOR	
Drawn by: KOR	Checked:

Job Title: New housing development	
Dwg. No. 4284c - PL - 10- 001	Rev. No.

C. S. PRINGLE LTD.
Consulting Engineers, Architects,
Building Surveyors, Fire Engineers.

MONAGHAN Rd., CASTLEBLAYNEY,
Co. MONAGHAN, IRELAND.
Tel: 042-9746492
Fax: 042-9746511
E-Mail: csp@cspringle.com